



Trouble deciding
which side to choose?
Worry no more!

S300 Squareline Gutter



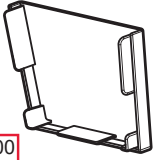
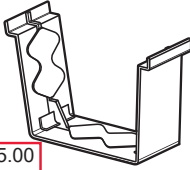
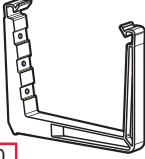
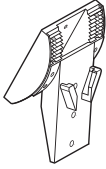
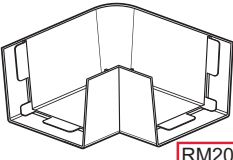
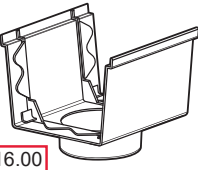

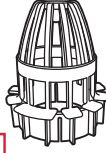
Symmetrically shaped to ease
installation storing and planning

NO MORE

Left and Right Side End Stopper

NO MORE

In and Out Mitre Joint Corner

<p>END STOPPER</p>  <p>RM3.00</p>	<p>JOINER</p>  <p>RM5.00</p>
<p>EXTERNAL BRACKET</p>  <p>RM3.00</p>	<p>ANGULAR ADJUSTABLE</p>  <p>RM3.00</p>
<p>MITRE JOINT / WITH OUTLET 4"</p>  <p>RM20.00</p>	<p>SPOUTHEAD FIN 4"</p>  <p>RM16.00</p>
<p>SOLVENT CEMENT NO. 11</p>  <p>RM20.00</p>	<p>DEBRIS TRAP</p>  <p>RM15.00</p>

Scan to download S300 Squareline Gutter e-catalogue

*All specifications subject to change without prior notice.



www.arenmarley.com

CONTACT US



Arensi-Marley (M) Sdn. Bhd.

Registration No.: 199401004913 (290592-A)

Lot 766, Persiaran Selangor, Seksyen 16, 40200
Shah Alam, Selangor Darul Ehsan, Malaysia.

- ☎ +603-5519 0564
- ☎ +603-5519 0613
- ✉ enquiry.arenmarley@gmail.com

VISIT US AT

- 📘 facebook.com/arenmarley
- 🐦 twitter.com/ArensiMarley
- 📷 instagram.com/arenmarley/



*All specifications subject to change without prior notice.
*Hakcipta Terpelihara . Copyright Reserved (Oct'23)

Industrial Design No.: MY 01-00517

S300 Squareline Gutter

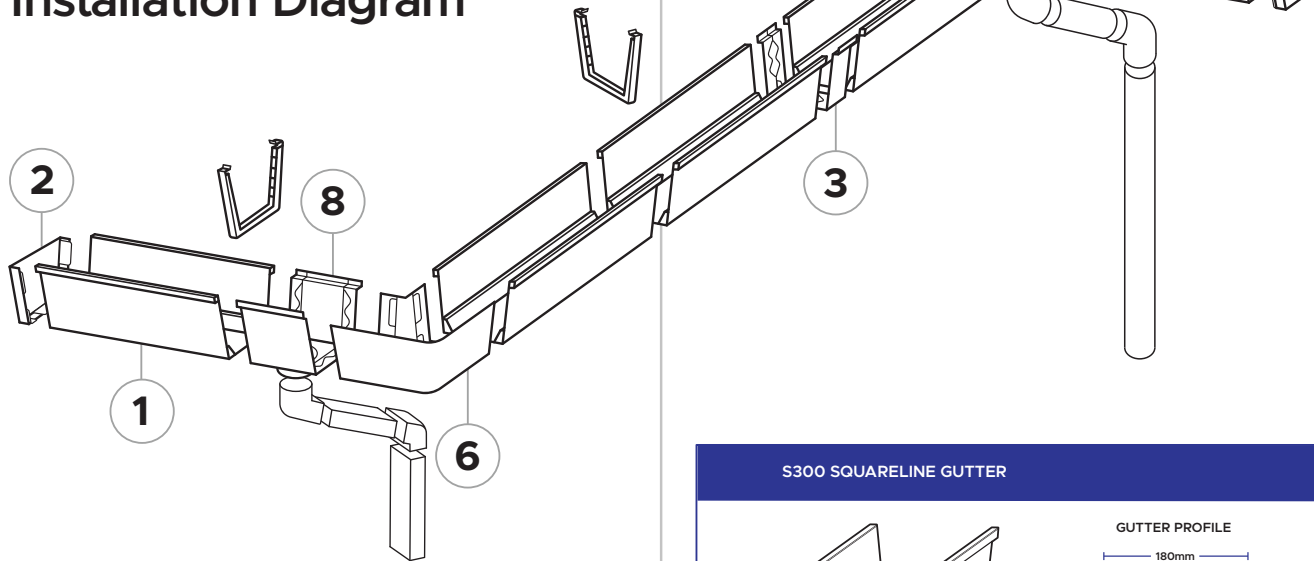
Installation Guide

To obtain optimum performance of S300 Squareline Gutter System, it is essential that the following procedures are adhered to :-

Preparation & Planning

1. S300 Squareline Gutter installation work must be done immediately after completion of fascia board installation. Check thoroughly that the fascia boards are level and straight. Always ensure that the fascia board used is able to sustain the weight of rainwater along the eave.
2. Determine the quantity of gutter and fittings required based on the roof plan. Determine the most appropriate type of fastener to be used (screw or nail) that can provide sufficient holding force. Screw/nail used will depend on the type of fascia board used.

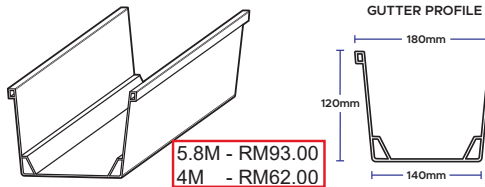
Installation Diagram



Description :

1. S300 Squareline Gutter
2. End Stopper
3. Joiner
4. External Bracket
5. Angular Adjustable
6. Mitre Joint
7. Mitre Joint with Outlet 4"
8. Spouthead Fin 4"

S300 SQUARELINE GUTTER



AVAILABLE LENGTH 5.8M , 4M

IMPORTANT

- Always ensure a slope of minimum 12mm for every 6M of S300 Gutter run towards the Spouthead/Outlet for better discharge.
- Gutter should be terminated at appropriate area along the gutter run, preferably at the Spouthead/Outlet to allow thermal movements.

Gutter Installation

A. CORRECT LEVELLING OF GUTTER

- Determine Spouthead/Outlet position by ensuring the Spouthead / Outlet to be at the lowest point (horizontally) at all times. Fix Spouthead / Outlet onto the fascia board. Mitre with Outlet is also available for S300 Squareline Gutter.
- S300 Squareline Gutter must be slopped at a gradient towards the Spouthead / Outlet at all times for better discharge flow (approximately 12mm for every 5.8M of gutter run).
- Next, determine Metre Joint positions and fix it onto the fascia board accordingly.

B. GUTTER BRACKET POSITIONING

Install Gutter Bracket with spacing of 600mm center to center according to the pre-determined slopping gradient towards the Spouthead/Outlet. Gutter Bracket Positioning :-

- 600mm center to center along gutter run.
- 60mm from End Stopper.
- 60mm each from both ends of Spouthead or Mitre.

C. MEASURING & CUTTING

Measure the length of gutter required. S300 Squareline Gutter is supplied in standard length of 5.8M or 4M. S300 Squareline Gutter can also be supplied in non-standard length subject to prior arrangement with the factory.

Measure (normally along the fascia board) for the length of gutter required. Mark and draw a line across the gutter outer surface. Then cut using a hacksaw or other cutting tools. Remove burrs on the cutting edge if there are any.

D. JOINTING

Solvent weld the required S300 Squareline Gutter with fitting (Joiner, End Stopper and Mitre Joint Fin) at floor level using **Arensi-Marley Solvent Cement No. 11** compliance with **MS 628, part 2, section 2.2**. Make sure the cutting edge for jointing is straight and burrs-free. The surface for solvent jointing must be dry and free from grease.

Leave the pre-assembled gutter and fitting till bonding had taken place before lifting it up and placing it into Gutter Brackets already fixed to the fascia board.

E. COMPLETION

Thoroughly check to make sure gutter run is properly seated within the Gutter Brackets to ensure functionality of S300 Squareline Gutter. Ensure gutter is debris and rubbish-free after installation.

F. PAINTING

S300 Squareline Gutter can be painted. No undercoat or premier is required.